

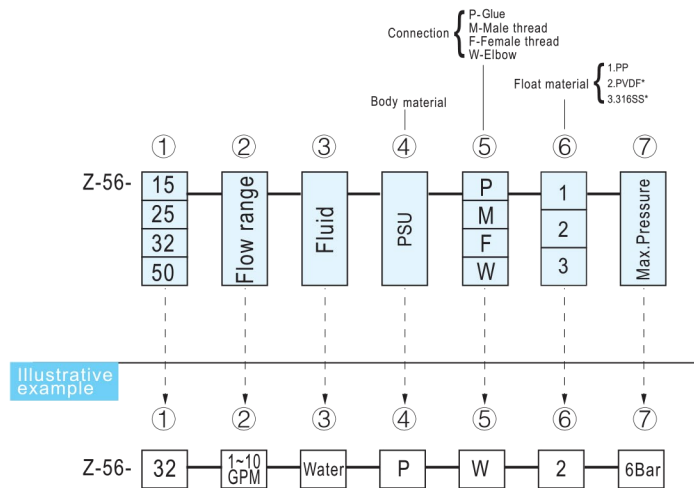
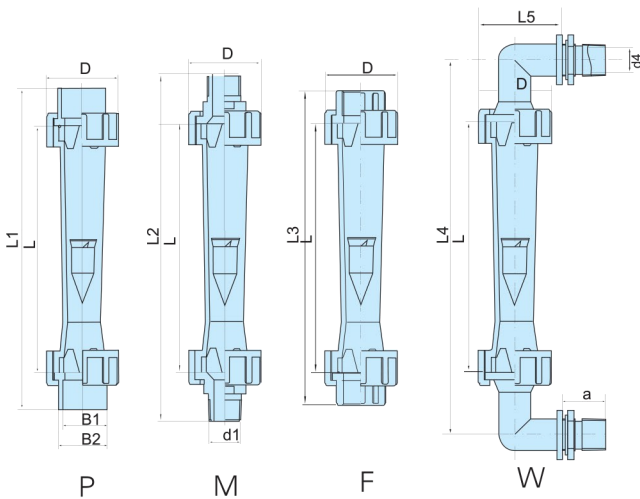
The major parts of Z-560 series pipe flowmeter: material of taper tube is polysulfone(PSU), the connectors are polyvinyl chloride(PVC), the float material is PP, can be acidproof and alkali-resisting.

- Temperature limited: 100°C
- Accuracy: ±5%
- Working pressure: 10Bar
- O-ring material: EPDM
- Float: Poly(Vinylidene fluoride)



MODEL	Water		Pipe (P)	Male	Female	Elbow
	GPM	LPM				
Z-5615	0.25~2.5	1~10	ø20	3/4"NPT 1/2"NPT	1/2"NPT 1/2"G	1/2"NPT 1/2"G
	0.5~5	2~20				
	0.7~7	2.5~25				
	1~11	4~40				
	--	3~30				
Z-5625	1~10	4~40	ø32	3/4"NPT	3/4"NPT 3/4"G	3/4"NPT 3/4"G
	1.2~12	5~50				
	1.5~15	6~60				
	--	8~80				
Z-5632	1.5~15	6~60	ø40	1"NPT	1"NPT 1"G	1"NPT 1"G
	1.8~18	7~70				
	2~20	8~80				
Z-5650	2.5~25	10~100	ø63	2"NPT	2"NPT 2"G	2"NPT 2"G
	5~50	20~200				
	7~70	25~250				
	8~80	30~300				
	--	80~800				

### How to order



\* Refer to "Ordering" and "Illustrative example" when placing an order or requesting a quotation. Fill in the blanks in the "Order/Quotation Request Card" at the end of the catalog, and send the card by fax.

Unit (mm)

Model	L	D	Metric Union (P)			Male Thread (M)	Female Thread (F)	Elbow(W)				Weight (kg)
			L1	B1	B2	L2	L3	L4	a	L5	d4	
Z-5615	170	50	217	20	26	236	216	247	25	56.5	ø13	0.4
Z-5625	199	59	255	32	39	281	254	297	25	83	ø20	0.5
Z-5632	249	72	310	40	49	338	315	357	31	95	ø25	1
Z-5650	290	120	375	63	73	400	370	440	40	120	ø45	3