



## MF710 series Intelligent electromagnetic Flowmeter Converters

### Performance Feature

Output: 4-20mA ,pulse/ frequency output(passive)
Accuracy: $\pm 0.5\%$ , $\pm 1\%$
Power supply: 220VAC/24VDC
Measure direction: forward/ reverse
Environmental condition: temp. $-25^{\circ}\text{C}$ - $60^{\circ}\text{C}$ , relative humidity 90%
Power-off protection: 10 years
Display: 7 numbers of instantaneous delivery,8 numbers of totalizer
Computed mode :4 keys
Volumes: 132*132*95mm
Installation type: compact



## MF720 series Intelligent electromagnetic Flowmeter Converters

### Performance Feature

Output: 4-20ma ,pulse/frequency output(active)
Accuracy: $\pm 0.5\%$ , $\pm 1\%$
Power supply: 220VAC/24VDC
Measure direction: forward/ reverse
Environmental condition: temp. $-25^{\circ}\text{C}$ - $60^{\circ}\text{C}$ , relative humidity 90%
Power-off protection: 10 years
Display: 7 numbers of instantaneous delivery,8 numbers of totalizer
Communication: RS485 or HART protocol
Computed mode: 3 keys
Volumes: 181.5*171*141mm
Installation type: compact



## MF730 series Intelligent electromagnetic Flowmeter Converters

### Performance Feature

Output: 4-20mA ,pulse/frequency output(active)
Accuracy: $\pm 0.25\%$ , $\pm 0.5\%$
Power supply: 220VAC/24VDC
Measure direction: forward/ reverse
Environmental condition: temp. $-25^{\circ}\text{C}$ - $60^{\circ}\text{C}$ , relative humidity 90%
Power-off protection: 10 years
Display:7 numbers of instantaneous delivery,7 numbers of totalizer
Communication:RS485 or HART protocol
Computed mode:4 keys
Volumes:180*120*75mm
Installation type: remote

## FA series Intelligent Electromagnetic Flowmeter Sensors



### Performance Feature

Diameter: DN10mm -DN2000mm

Electrode: 316L,Hc,Ti,Ta,Pt

Liner:Rubber, polyurethane,PTFE,PFA,F46

Medium: electric conductivity liquids

Medium conductivity : $\geq 5 \mu S/cm$

Accuracy:  $\pm 0.5\%RS - \pm 1.0\%RS$

Velocity of flow: 0.1m/s -10m/s

Working temperature:compact $\leq 120C$ ,remotes $\leq 150C$ (rubber $\leq 80C$ )

Working pressure:0.6MPa-4.0MPa(base on diameter)

Protection class:IP65,IP67

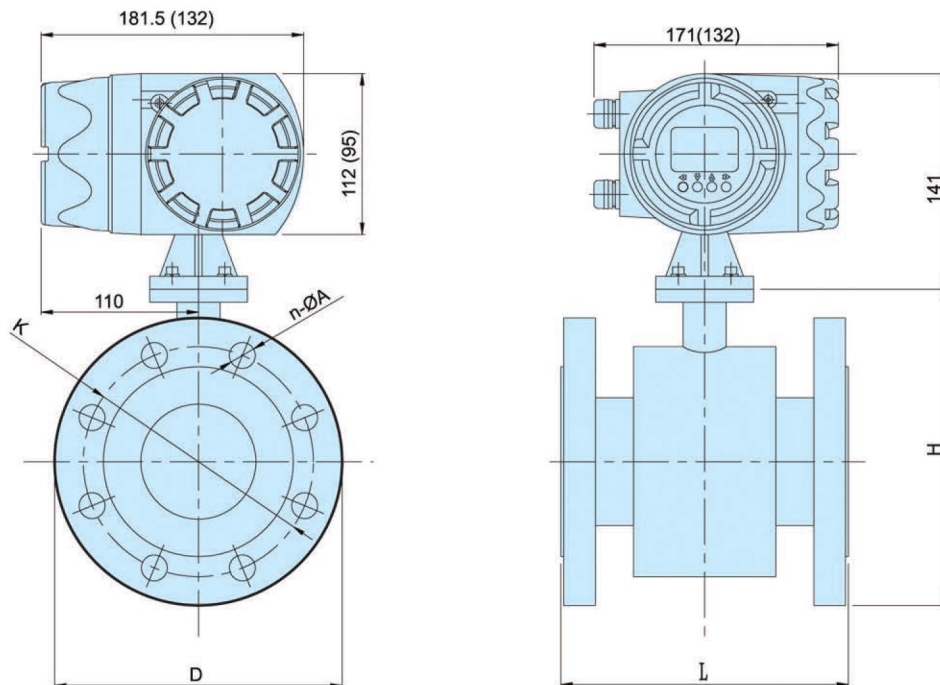
Related converter type:MF710/MF720/MF730

Output:4-20mA/ frequency/pulse output signal

Power supply:220VAC/24VDC,battery

Installation type: compact,remote

### FA external dimension(mm)



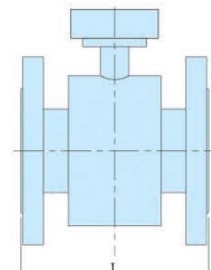
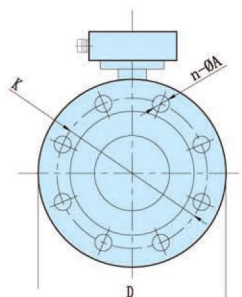
FA compact external dimension

## FA series Electromagnetic Flowmeter Sensors

External dimension for compact and remote type

mm

DN mm	Working pressure MPa	L	D	K	n- $\phi$ A	Compact Weight (kg)	Remote Weight (kg)
10	4.0	150	90	60	4- $\phi$ 14	6	4
15		150	95	65	4- $\phi$ 14	6	4
20		150	105	75	4- $\phi$ 14	8	6
25		150	115	85	4- $\phi$ 14	9	7
32		150	140	100	4- $\phi$ 18	11	12
40		150	150	110	4- $\phi$ 18	13	14
50		200	165	125	4- $\phi$ 18	15	15
65		200	185	145	8- $\phi$ 18	16	18
80		200	200	160	8- $\phi$ 18	19	20
100	1.6	250	220	180	8- $\phi$ 18	23	25
125		250	250	210	8- $\phi$ 18	27	29
150		300	285	240	8- $\phi$ 22	33	36
200	1.0	350	340	295	8- $\phi$ 22	51	49
250		400	395	350	12- $\phi$ 22	70	70
300		500	445	400	12- $\phi$ 22	102	100
350		500	505	460	16- $\phi$ 22	123	121
400		600	565	515	16- $\phi$ 26	147	145
450		600	615	565	20- $\phi$ 26	212	207
500		600	670	620	20- $\phi$ 26	229	210
600		600	780	725	20- $\phi$ 30	252	250
700		700	895	840	24- $\phi$ 30	352	350
800		800	1015	950	24- $\phi$ 33	462	460
900		900	1115	1050	28- $\phi$ 33	558	550
1000	0.6	1000	1175	1120	28- $\phi$ 30	690	680
1200		1200	1405	1340	32- $\phi$ 33	785	780
1400		1400	1630	1560	36- $\phi$ 36	1258	1250
1600		1600	1830	1760	40x $\phi$ 36		1550
1800		1800	2045	1970	44x $\phi$ 39		2080
2000		2000	2265	2180	48x $\phi$ 42		2600



FA remote external dimension



Flow Range Chart by Pipe Size

DN (mm)	Flow Range Selection ( m <sup>3</sup> /h )
10	0.16, 0.2, 0.25, 0.3, 0.4, 0.5, 0.6, 0.8, 1.0, 1.2, 1.6, 2.0, 2.5
15	0.4, 0.5, 0.6, 0.8, 1.0, 1.2, 1.6, 2.0, 2.5, 3.0, 4.0, 5.0, 6.0
20	0.6, 0.8, 1.0, 1.2, 1.6, 2.0, 2.5, 3.0, 4.0, 5.0, 6.0, 8.0, 10.0
25	1.0, 1.2, 1.6, 2.0, 2.5, 3.0, 4.0, 5.0, 6.0, 8.0, 10.0, 12.0, 14.0, 16.0
32	1.6, 2.0, 2.5, 3.0, 4.0, 5.0, 6.0, 8.0, 10.0, 12.16, 20, 25
40	2.5, 3.0, 4.0, 5.0, 6.0, 8.0, 10.0, 12, 16, 20, 25, 30, 40
50	4.0, 5.0, 6.0, 8.0, 10, 12, 16, 20, 25, 30, 40, 50, 60, 70
65	6.0, 8.0, 10, 12, 16, 20, 25, 30, 40, 50, 60, 80, 100, 120
80	10, 12, 16, 20, 25, 30, 40, 50, 60, 80, 100, 120, 160
100	16, 20, 25, 30, 40, 50, 60, 80, 100, 120, 160, 200, 250
125	25, 30, 40, 50, 60, 80, 100, 120, 160, 200, 250, 300, 400
150	40, 50, 60, 80, 100, 120, 160, 200, 250, 300, 400, 500, 600
200	60, 80, 100, 120, 160, 200, 250, 300, 400, 500, 600, 800, 1000
250	100, 120, 160, 200, 250, 300, 400, 500, 600, 800, 1000, 1200, 1600
300	160, 200, 250, 300, 400, 500, 600, 800, 1000, 1200, 1600, 2000, 2500
350	200, 250, 300, 400, 500, 600, 800, 1000, 1200, 1600, 2000, 2500, 3000
400	250, 300, 400, 500, 600, 800, 1000, 1200, 1600, 2000, 2500, 3000, 4000
450	300, 400, 500, 600, 800, 1000, 1200, 1600, 2000, 2500, 3000, 4000, 5000
500	400, 500, 600, 800, 1000, 1200, 1600, 2000, 2500, 3000, 4000, 5000, 6000
600	600, 800, 1000, 1200, 1600, 2000, 2500, 3000, 4000, 5000, 6000, 10000
700	800, 1000, 1200, 1600, 2000, 2500, 3000, 4000, 5000, 6000, 10000, 12000
800	1000, 1200, 1600, 2000, 2500, 3000, 4000, 5000, 6000, 10000, 12000, 16000
900	1200, 1600, 2000, 2500, 3000, 4000, 5000, 6000, 8000, 10000, 12000, 16000, 18000
1000	1600, 2000, 2500, 3000, 4000, 5000, 6000, 10000, 12000, 16000, 20000
1200	2500, 3000, 4000, 5000, 6000, 8000, 10000, 12000, 16000, 20000, 25000, 30000
1400	3000, 4000, 5000, 6000, 8000, 10000, 12000, 16000, 20000, 25000, 30000, 40000
1600	4000, 5000, 6000, 8000, 10000, 12000, 16000, 20000, 25000, 30000, 40000, 50000, 60000
1800	5000, 6000, 8000, 10000, 12000, 16000, 20000, 25000, 30000, 40000, 50000, 60000
2000	6000, 8000, 10000, 12000, 16000, 20000, 25000, 30000, 40000, 50000, 60000, 80000, 100000